
USER MANUAL



LED1915 B-Eyes K10

1 SECURITY TIPS

WARNING!!! To reduce the risk of fire, electric shock, or injury to persons, follow these important safety instructions:

- non-professionals, not to disassemble the light arbitrarily and lighting accessories inside.
- rated voltage range: AC110V-120V/60Hz or AC200V-240V / 50HZ (to be selected).
- not beam irradiate the flammable materials, flammable materials and the lamp should be maintained at least 1M over the distance.
- lamps used in ambient temperature: $-15\text{ }^{\circ}\text{C}$ $-40\text{ }^{\circ}\text{C}$, the highest temperature of the surface of the lamp: $60\text{ }^{\circ}\text{C}$.
- to keep away from the liquid substance and humid environment.
- before using the lights must ensure the good grounding, can not install charging and remove any parts.
- the installation of lamps, must be fixed screw fasteners with additional security cable and regular inspection.
- lamps consecutive working hours is not recommended more than 10 hours.
- should stop using the lights in time when happens unusual conditions during the process
- lamp parts of the rotation, external accessories and paste parts should be regular inspected, such as the emergence of loose and rock, should be reinforced in a timely manner to prevent the accident.
- lamps adopt strong winds to refrigerate, it is easy to accumulate the dust, so you have to clean it weekly especially the cooling air opening, otherwise the dust will plug leading to poor light

2 TECHNOLOGY REFERENCE

Power supply : 100-240V 50/60Hz

Power : 350W

LAMP SOURCE:19×15W RGBW Osram LED,
LED Average Life : 50,0000 h

Zoom : 4°-60° Electronic Zoom Range

Individual LED control for each parameter

3 DMX Modes : 21CH Standard , 35/78/97/92 CH Extended , 23
CH Normal

Pan : 540° , 16 bit

Tilt : 210° , 16 bit

0-100% linear electronic dimmer

Adjustable speed stop/strobe effect, with instantaneous blackout

Three operating modes: wash, beam, FX (Kaleido effects)

Bi-directional Rotating Front Lens

Digital Wash-Beam Framing effect

Beam edge softening control (in Wash mode)

Pixel Patterning Macros with enhanced control

DMX signal connection: 3 Pin XLR input and output

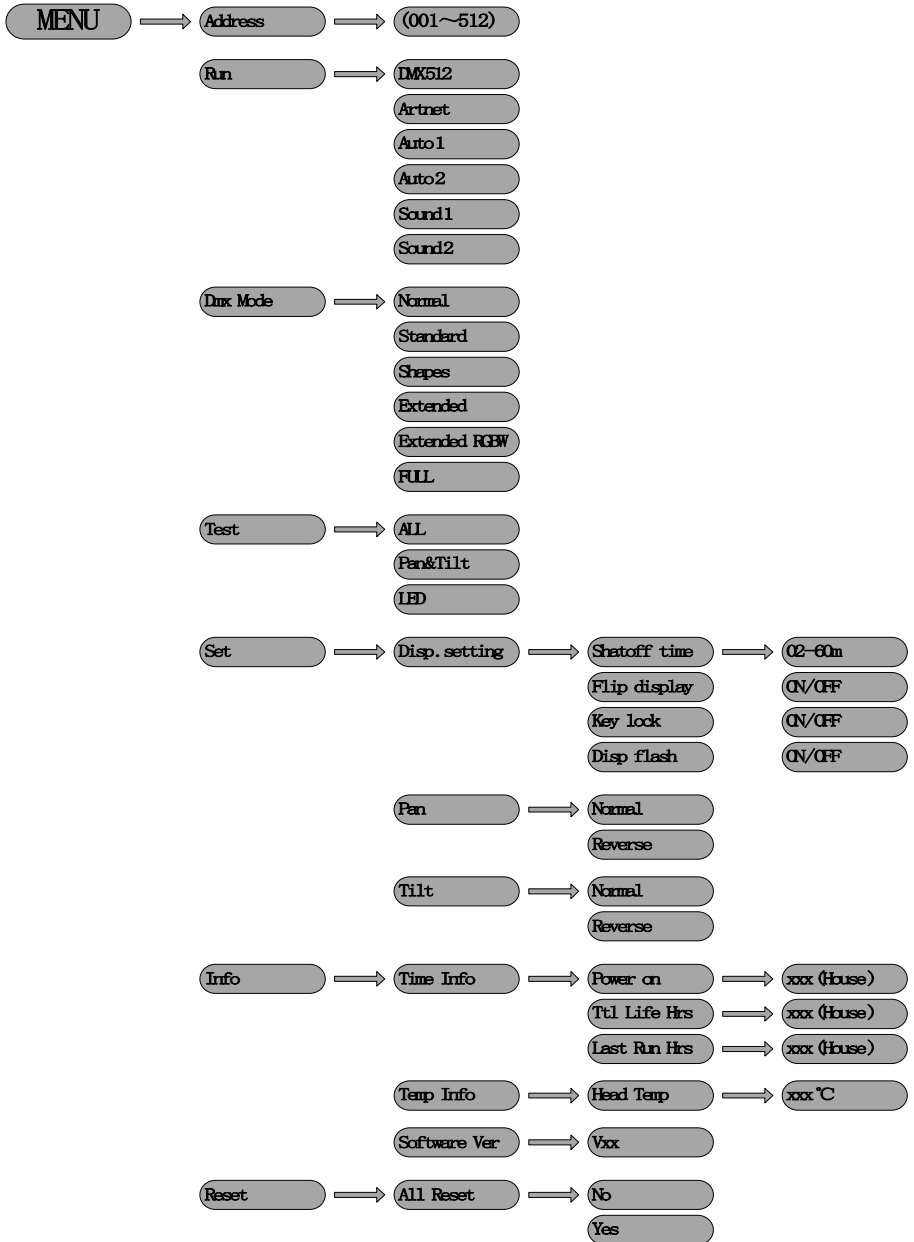
Power Con In and Out

Net Weight : 15KG

3 Board Instruction

MENU UP DOWN ENTER

Menu Map



4 DMX CHANNEL SHEET

| CHANNEL | CHANNEL MODE |
|---------|---------------|
| 1 | Red |
| 2 | Red fine |
| 3 | Green |
| 4 | Green fine |
| 5 | Blue |
| 6 | Blue fine |
| 7 | White |
| 8 | White fine |
| 9 | Linear CTO |
| 10 | Macro color |
| 11 | Strobe |
| 12 | Dimmer |
| 13 | Dimmer Fine |
| 14 | Pan |
| 15 | Pan Fine |
| 16 | Tilt |
| 17 | Tilt Fine |
| 18 | Function |
| 19 | Reset |
| 20 | Zoom |
| 21 | Zoom Rotation |

STANDARD Channel

EXTENDED Channel

| CHANNEL | CHANNEL MODE |
|---------|--------------|
|---------|--------------|

| CH3 5 | CH 78 | CH9 7 | CH 92 | |
|----------|----------|----------|----------|-------------------|
| 1 | 1 | 1 | 1 | Red |
| 2 | 2 | 2 | 2 | Red fine |
| 3 | 3 | 3 | 3 | Green |
| 4 | 4 | 4 | 4 | Green fine |
| 5 | 5 | 5 | 5 | Blue |
| 6 | 6 | 6 | 6 | Blue fine |
| 7 | 7 | 7 | 7 | White |
| 8 | 8 | 8 | 8 | White fine |
| 9 | 9 | 9 | 9 | Linear CTO |
| 10 | 10 | 10 | 10 | Macro colour |
| 11 | 11 | 11 | 11 | Strobe |
| 12 | 12 | 12 | 12 | Dimmer |
| 13 | 13 | 13 | 13 | Dimmer Fine |
| 14 | 14 | 14 | 14 | Pan |
| 15 | 15 | 15 | 15 | Pan Fine |
| 16 | 16 | 16 | 16 | Tilt |
| 17 | 17 | 17 | 17 | Tilt Fine |
| 18 | 18 | 18 | 18 | Function |
| 19 | 19 | 19 | 19 | Reset |
| 20 | 20 | 20 | 20 | Zoom |
| 21 | 21 | 21 | 21 | Zoom Rotation |
| 22 | | | 22 | Shape Selection |
| 23 | | | 23 | Shape Speed |
| 24 | | | 24 | Shape Fade |
| 25 | | | 25 | Shape R |
| 26 | | | 26 | Shape G |
| 27 | | | 27 | Shape B |
| 28 | | | 28 | Shape W |
| 29 | | | 29 | Shape Dimmer |
| 30 | | | 30 | Background Dimmer |

| | | | | |
|----|-----|-----|------|------------------------------|
| 31 | | | 31 | Shape Transition |
| 32 | | | 32 | Shape Offset |
| 33 | | | 33 | Foreground Strobe (reserved) |
| 34 | | | 34 | Background Strobe (reserved) |
| 35 | | | 35 | Background Select (reserved) |
| | 22 | 22 | 36 | Red LED 1 |
| | 23 | 23 | 37 | Green LED 1 |
| | 24 | 24 | 38 | Blue LED 1 |
| | | 25 | | White LED 1 |
| | ... | ... | | Red LED ... |
| | ... | ... | | Green LED ... |
| | ... | ... | | Blue LED ... |
| | | ... | | White LED ... |
| | ... | 90 | | Red LED 18 |
| | ... | 91 | | Green LED 18 |
| | ... | 92 | | Blue LED 18 |
| | | 93 | | White LED 18 |
| | 76 | 94 | 90 | Red LED 19 |
| | 77 | 95 | 91 | Green LED 19 |
| | 78 | 96 | 92 | Blue LED 19 |
| | | 97 | | White LED 19 |

NORMAL Channel :

| CHANNEL | CHANNEL MODE |
|----------------|---------------------|
| 1 | Pan |
| 2 | Pan Fine |
| 3 | Tilt |
| 4 | Tilt Fine |
| 5 | XY Speed |
| 6 | Zoom |
| 7 | Zoom Rotation |
| 8 | Dimmer |
| 9 | Strobe |
| 10 | Red |
| 11 | Green |
| 12 | Blue |
| 13 | White |
| 14 | Macro color |
| 15 | Shape Selection |
| 16 | Shape Speed |
| 17 | Shape Fade |
| 18 | Shape R |
| 19 | Shape G |
| 20 | Shape B |
| 21 | Shape W |
| 22 | Background Dimmer |
| 23 | Reset |

5 FIXED EQUIPMENT

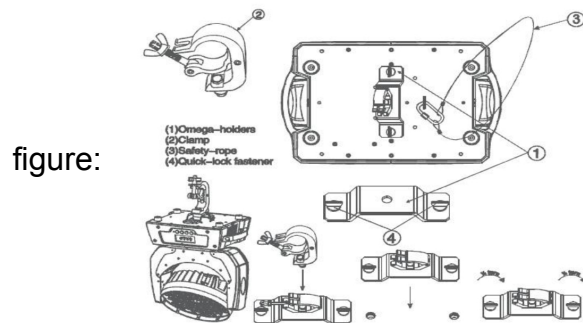
Please keep the equipment far away from the flammable objects like finishing material, etc. keep at least 0.5m distance from the flammable objects.

Warning: using two lamp clamps fix the equipment on the bottom of the lamp holder according to the instruction. to make sure the place of install the lamp is safe and suitable ,and the installation point that have chosen is safety and reliable.

The place of installing the lamp must support the 10 times weight of the lamp itself. And test the pensile place and make sure the place isn't out of the shape.

Must install the second protection when fixing the equipment like proper protective screening. The second protection is used to prevent drop off and lost of lamp and components.

Lamps can directly install the lamp holder , which is shown in the




6 MAIN MACHINE CONNECTION

Please checking the power equipment supported.

Please put the plug of power source wire connect with the main power source .

| (EU)Wire | Wire(America) | Direction of wire | General marks |
|------------|---------------|-------------------|---------------|
| Brown | Black | Live | L |

| | | | |
|----------------------------|----------------|------------------|--|
| Light blue Yellow/Green | White Green | Neutral Earth | N  |
|----------------------------|----------------|------------------|--|



Warranty Card

| | | | |
|------|-------|------------|----------|
| Name | Model | Production | Purchase |
|------|-------|------------|----------|

| |
|---------------|
| End User |
| Company Name: |
| Add: |

| |
|---------------------------------|
| Sale Store |
| Link man: |
| Tel: Stamp |

e
s
c

D

ription: These must be truthfully fill, seal

by the end-user and point-of-sale, or else the warranty will not work (warranty period and terms, see the following)

warranty period : one year since purchase warranty terms : 1、 If fail when using the product in normal state, you can made under the provisions of the warranty, show the warranty card and purchase bills(copy), and enjoy free maintenance service in a specific service center or the manufacturer.

2. The following will be the implementation of paid service:

(1)Without the effective warranty card

- (2) There's blank, alter and no point-of-sale name
- (3) Fail caused by unresistance
- (4) Fail caused by transportation or unloading
- (5) Fail caused by not operate by manual
- (6) Fail caused by disassemble without unauthorized
- (7) Fail caused by using the unauthorized control system

Note:

Based on our company continue to improve the product, the statement containing data may have changed, and will not notice the change any more. Company retains its right to change specifications related when product is improved. Thanks for your understanding.

